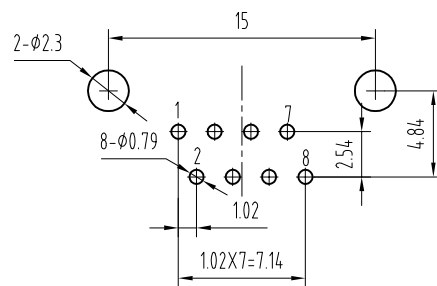
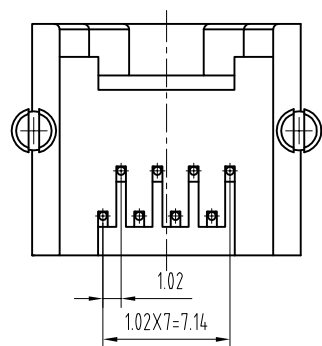
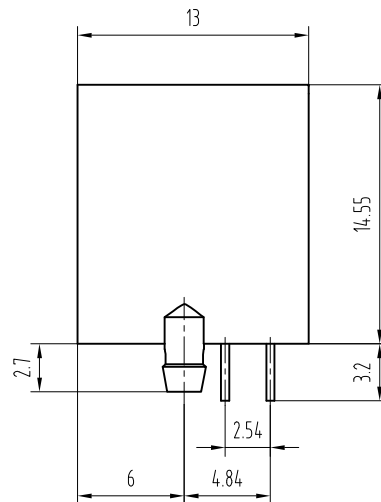
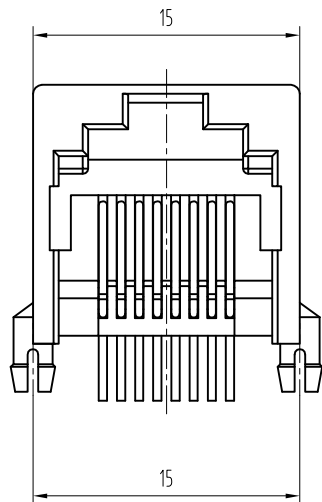


REVISION RECORD				
REV	ECO	DESCRIPTION	DRFT	CHKD



PC Board Layout  
Component Side Shown

NOTES:

MATERIAL :

- 1.HOUSING MATERIAL :GLASS FILLED POLYESTER UL94V-0.
- 2.CONTACT MATERIAL :PHOSPHOR BRONZE φ0.46mm.
- 3.PLATING :GOLD PLATING OVER NICKEL.

ELECTRICAL:

- 1.VOLTAGE RATING :125 VAC RMS.
- 2.CURRENT RATING :15 AMP.
- 3.CONTACT RESISTANCE :30 MILLIOHMS MAX.
- 4.INSULATION RESISTANCE :500 MEGOHMS MIN @ 500V DC .
- 5.DIELECTRIC WITHSTANDING RESISTANCE :1000V AC RMS 50Hz. 1MIN.

MECHANICAL:

- 1. DURRABILITY :750 CYCLES MIN.
- 2.PCB RETENTION PRE-SOLDER :1 LB MIN.

ENVIRONMENTAL:

- 1. STORAGE : -40°C~+85°C
- 2. OPERATION : 0? TO 70?.

PART NUMBER:

DETAILED LISTS MM .0 ± 0.15 .50 ± 0.075 .000 ± 0.05 ANGLES ± 0.5 THIRD ANGLE PROJECTION	DFTO SHB DATE 2007.05.03	<h1>Coorle Technology</h1>		
	CHKD LANBO DATE 2007.05.03			
	MFO DATE	TITLE <h2>55 SERIES PCB JACK 8P8C</h2>		
	APPVL DATE			
MATERIAL :	Q.T'Y :	DRAWING NO. TESSA1005	SIZE A3	REV 0
FINISH :	SCALE :	DO NOT SCALE DRAWING	SHEET X	OF Y